

FILT MASTER

MasterONE
Self-cleaning single
filter equipment.

Jimten presents the new automatic single
filtering system available in 25, 50, 100, 130
and 200 microns discs.



FILT MASTER

The most efficient, versatile & profitable filtering tool.



©JIMTEN 3M
45823 102-12

jimten, S/A
CTRA. DE OCAÑA, 125 C.P. 03114
5285 C.P. 03080
+ 34.965.10.90.44
+ 34.965.11.50.82
ALICANTE (ESPAÑA)
www.jimten.com
Empresa registrada según norma



ER-0084/1996



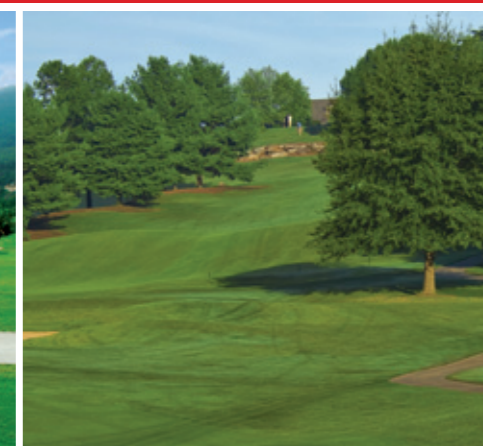
GA-1990/0156

an OAliaxis company



FILT MASTER

MasterONE
Self-cleaning single
filter equipment





FILT-MASTER

THE MOST EFFICIENT, VERSATILE & PROFITABLE filtering tool.

Efficiency: The application of the most advanced technology results in a higher level of filtering performance.

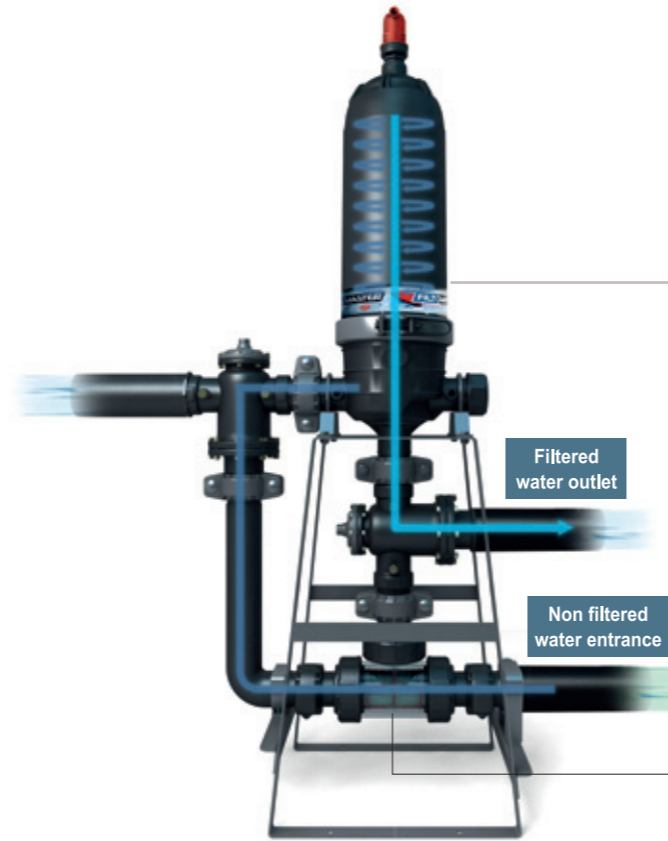
Versatility: The wide modular capacity of its components allows its perfect use for any kind of water in both agricultural and industrial fields.

Profitability: The design of its components optimizes the cleaning process with lower energetic costs.

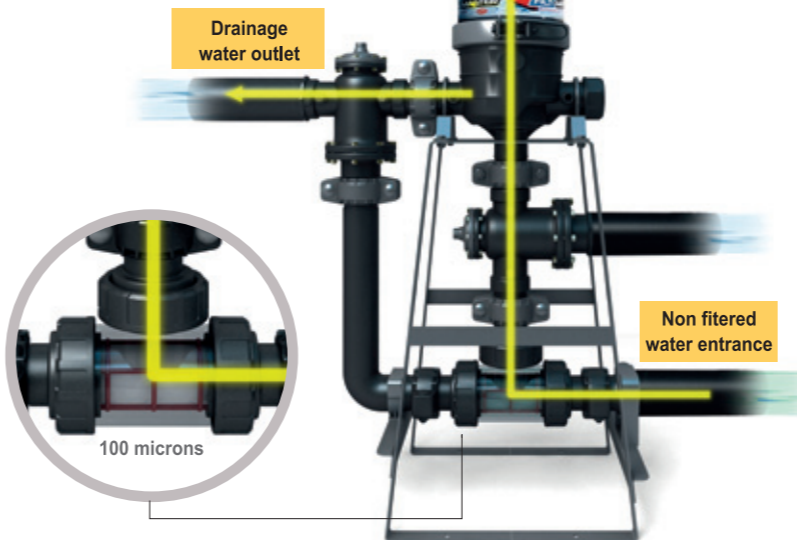


MasterONE Self-cleaning single filter equipment.

General features



During the filtration phase, the MasterONE unit acts as a traditional filtering disc filter, the fluid passes through its cleaning T, flows to the inlet of the filter and coming out cleaned. (when the fluid crosses the cleaning T, removes dirtiness if-any).

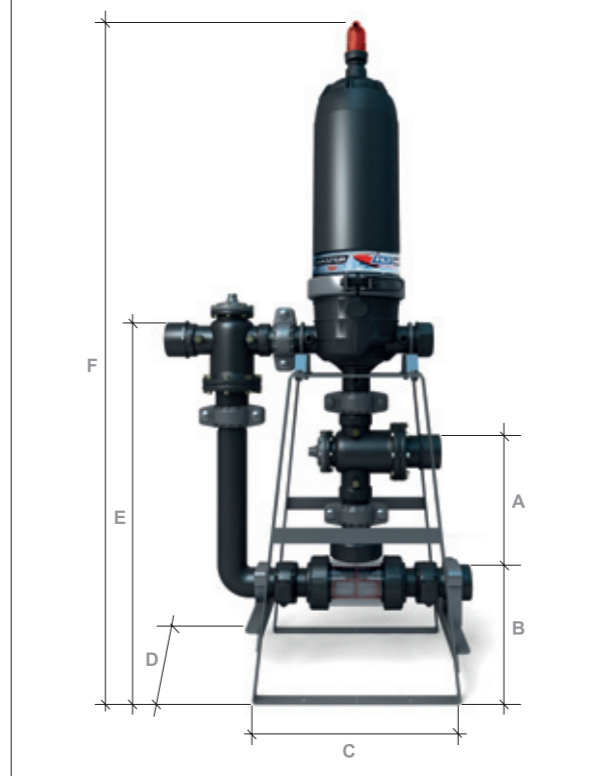


During the cleaning phase, the MasterONE unit works reversing the water flow, passes through the cleaning T filter, flowing clean to produce the cleaning of the large filter with already cleaned water. The pre-treated continues when the filtering disk cartridge is self-released and a high speed disc rotation cleans it. The MASTER-One equipment design allows a low pressure (2 kg/cm²) cleaning phase.



Sizes

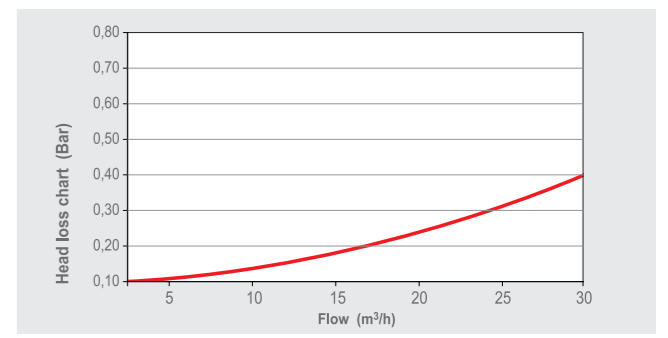
Sizes	A	B	C	D	E	F
2"	451	175	400	360	700	1.394



Working conditions

One body filter 2"	
Maximum pressure	10 bar
Minimum filtration pressure	1 bar
Lost Head permitted	6 wcm
Back flushing pressure	According to the filtration degree
200 - 130 - 100 micron	3 bar
50 micron	5 bar
25 micron	6 bar
Minimum back flushing flow rate	According to the filtration degree
200 - 130 - 100 micron	8 m ³ /h
50 micron	10 m ³ /h
25 micron	12 m ³ /h
Max temperature	50 °C
pH interval	4-13

Head loss chart



Flow vs water quality

Filtmaster 2" equipment	Filters number	Disc 200 microns			Disc 130 microns			Disc 100 microns			Disc 50 microns			Disc 25 microns			Ø collector
		A	B	C	A	B	C	A	B	C	A	B	C	A	B	C	
	1	35	23	12	33	22	11	27	18	9	17	12	6	9	6	3	63

Suspended solids	Microns / Disc					
	Colour	Yellow	Red	Blue	Green	Cian
A < 50 ppm	Microns	200	130	100	50	25
River / Reservoir	MESH	80	120	140	200	600

Range

	cian 25 microns	green 50 microns	blue 100 microns	red 130 microns	yellow 200 microns	Num. Filters		
With support	98966	98967	98968	98969	98970	1	1	-
Without support	98951	98952	98953	98950	98954	1	1	-

2" x 1 Batteries automatic filters.

